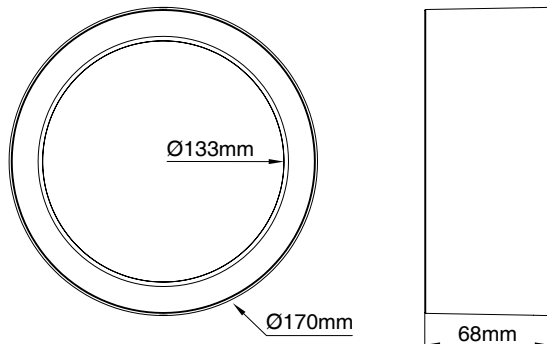




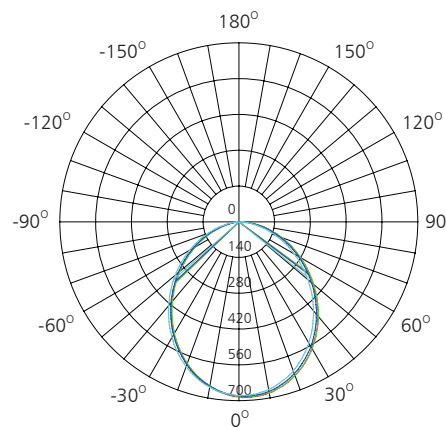
Specifications / Špecifikácia

| | | |
|---|---------------------------|-------------------------------------|
| Model | DL 5200 | |
| Power / Výkon | 18W | |
| Luminous Flux/Svetelný tok | 1692LM | |
| Color temperature / farba | 4000K | |
| Electrical class / el. tried | II | |
| UGR | 19 | |
| Color Rendering Index (CRI) | Ra 80 | |
| Beam angle Uhol vyžarovania | 100° | |
| Input Voltage Napájanie | 200-240VAC | |
| Power Factor | >0.90 | >0.93 |
| Frequency | 50 / 60 Hz | |
| Operating Temperature Pracovná teplota | 70°C | |
| Driver Type / Typ napájača | Triac DIM | |
| Product Dimension (mm) Rozmer svietidla (mm) | Ø170×68 | |
| Luminaire Net Weight Hmotnosť svietidla | 0.8kg | |
| Material | Housing / teleso | Aluminum Alloy / hliníková zliatina |
| | Diffuser / difuzor | PMMA / Polymetylmetakrylát |
| Fixture Color / Farba svietidla | White / Biela | |
| IP Rating / Krytie IP | IP54 | |
| Life Time / životnosť | >50,000H (Ta=30°L80B10) | |
| Warranty / záruka | 5 Years/rokov | |

Dimensions / Rozmery



Photometry



UNIT: cd

- C0/180, 99.9 deg
- C30/210, 99.9 deg
- C60/240, 99.9 deg
- C90/270, 99.9 deg

AVERAGE BEAM ANGLE (50%): 99.9DEG