

DL 400 / 600 / 800 UGR

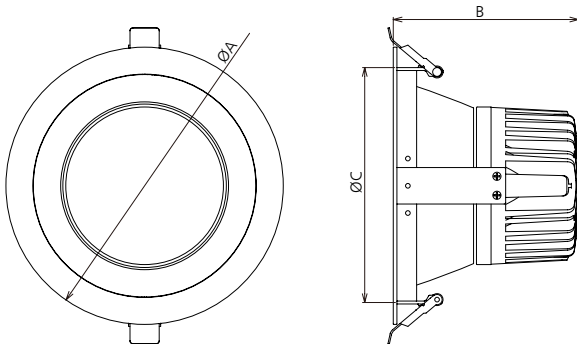
LED Downlight lights IP44



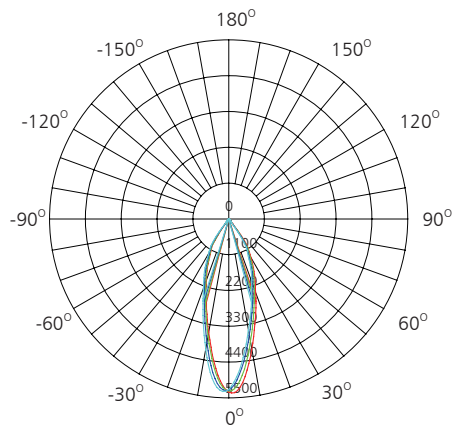
Specifications / Špecifikácia

| Model | DL 400 UGR | DL 600 UGR | DL 800 UGR |
|---|-------------------------|-------------------------------------|------------------------|
| Power / Výkon | 18W | 25 W | 35 W |
| Luminous Flux/Svetelný tok | 2160LM | 3000LM | 4000LM |
| Color temperature / farba | 3000K / 4000K | | |
| Electrical class / el. tried | II | | |
| UGR | 19 | | |
| Color Rendering Index (CRI) | Ra 80 | | |
| Beam angle Uhol vyžarovania | 36° | 36° | 45° |
| Input Voltage Napájanie | 200-240VAC | | |
| Power Factor | >0.90 | | |
| Frequency | 50 / 60 Hz | | |
| Operating Temperature Pracovná teplota | 45°C | | |
| Driver Type / Typ napájača | Constant Current (CC) | | |
| Product Dimension (mm) Rozmer svietidla (mm) | AxBxC Ø130×100×Ø110 | AxBxC Ø190×127×Ø170 | AxBxC Ø230×140×Ø200 |
| Luminaire Net Weight Hmotnosť svietidla | 0.85kg | 0.94kg | 1.3kg |
| Material | Housing / teleso | Aluminum Alloy / hliníková zliatina | |
| | Diffuser / difuzor | PMMA / Polymetylmetakrylát | |
| Fixture Color / Farba svietidla | White / Biela | | |
| IP Rating / Krytie IP | IP44 | | |
| Life Time / životnosť | >50,000H (Ta=30°L80B10) | | |
| Warranty / záruka | 5 Years/rokov | | |

Dimensions / Rozmery



Photometry



UNIT: cd

- C0/180, 33.4 deg
- C30/210, 33.1 deg
- C60/240, 33.0 deg
- C90/270, 32.9 deg

AVERAGE BEAM ANGLE (50%): 33.1DEG